



URIMAT®
Swiss quality – since 1998.

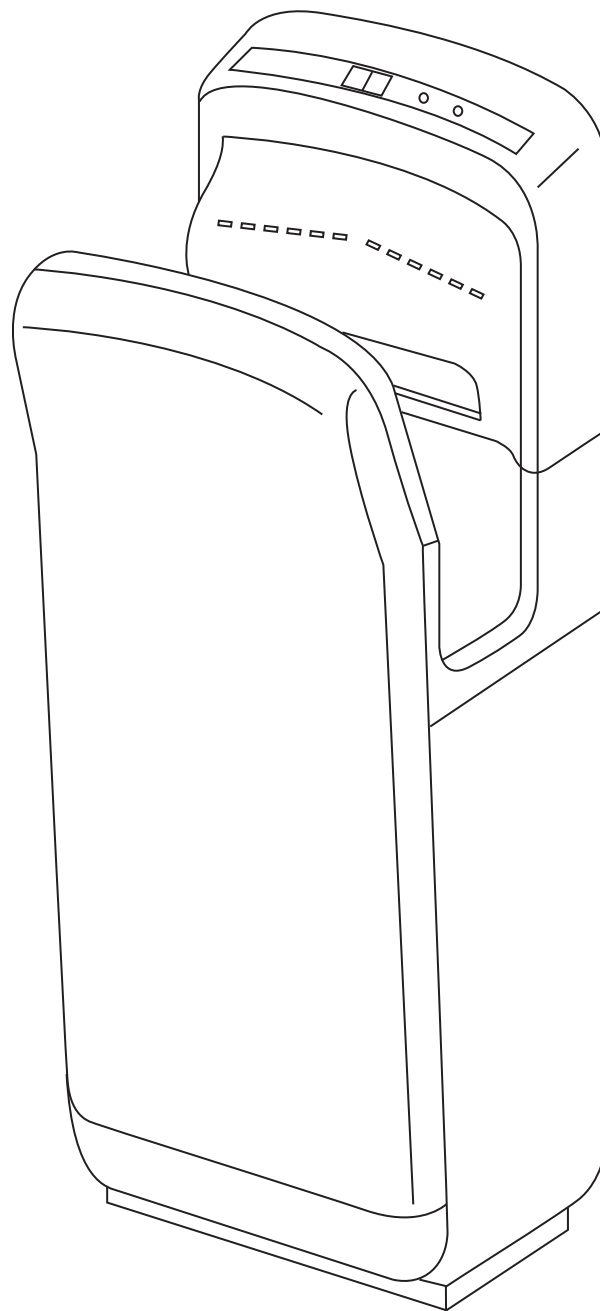
URIMAT Schweiz AG
Etzelstrasse 39
CH-8634 Hombrechtikon

+41 (0)55 251 52 30
info@urimat.com
www.urimat.com



Installation manual:

URIMAT favorit
article 37.520



- Do not attempt to install the unit yourself unless you are a trained service technician. Otherwise, this may affect the safety and proper functioning of the unit.
- Read this manual thoroughly and carefully before beginning to use the unit, ensuring safety and proper function. Please keep it well for later reference.

Contents

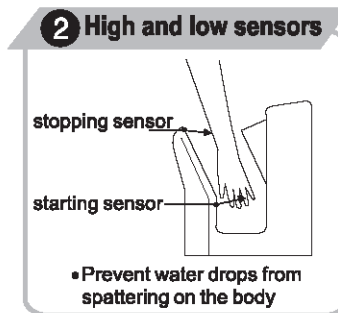
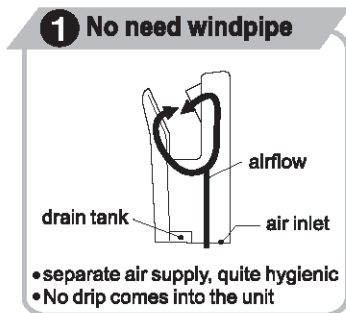
Contents 、 Features 、 Specifications	1
Warning	2
Parts name、 Dimension drawing	3
Usage	4
Routine cleaning	5
Trouble shooting 、 Electrical schematic	6
Precaution before installation	7
Installation	8-9
Test run	9
Packing list	10

Features

- Features
- Drying hands without contact, it's hygienic
- Electricity cost saving because of drying hands at high speed.
- It's economical & practical.
- Anti-damage timer, use unworried
- Do not use towels & tissues, no dispose of waste
- Anti-bacteria & environmental materials, no pollution
- Automatic heating, drying hands with comfortable in winter and drying
- Hands with cool in summer

Anti-damage timer

Installed anti-damage timer, this machine will stop work after working 25 seconds. Draw out your hands and put again your hands into the dryer to continue use.



Specifications

Rated voltage	AC220V	Motor	Brushless DC motor
Input power	1850W	Induction method	IR blocking
Wind velocity	95m/s	Protection class	IPX4
Warm air	1850W	Dimensions	300X220X685mm
Cold air	750W	Net weight	10.5kg



WARNING

personal injury accidents will happen if use improperly



Prohibited



Do not use in the bathtub or shower room



Do not allow The unit get wet



Prohibit disassembling



Please do complying with instruction



Ground



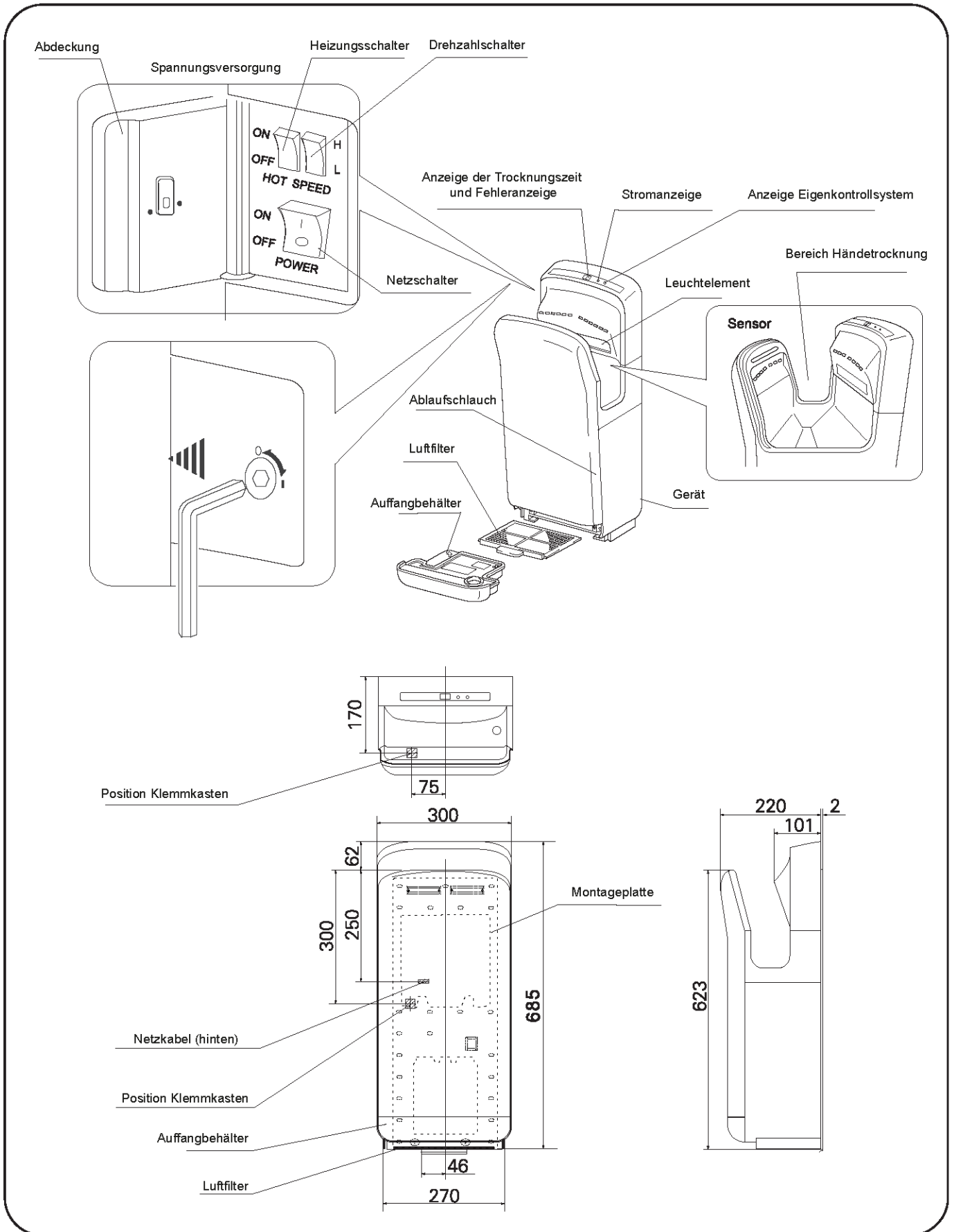
WARNING



- Do not open the front panel . otherwise, This may get an electric shock
- Children forbidden hanging on the machine, there are risk of falling.
- Do not use in a wet environment,for example,near the bathroom where it may get the direct water and the places where the condensation may form.otherwise,this may cause electric shock and unit malfunction.
- Do not allow the unit get wet.otherwise, it will cause electric shock
- Do not modify and disassemble the unit unnecessarily. Otherwise,this may cause a fire,electric shock,or personal injury.
- Rated power is required.
- If power tolerance is over +/-10%, there will be breakdown If using incorrect power supply, fire, electric shock and machine malfunction will happen.
- Please use dedicated socket If using together with other appliances, the socket may cause abnormal heat leading to fire.
- Power must be cut off when maintenance to prevent the risk of electric shock.
- Drain tank and air filter must be installed. Do not switch on after power connected for 10 seconds.
- If the machine doesn't work or have abnormal conditions, please cut off power to prevent accidents; and close leakage circuit breaker and ask supplier to check and repair, or it may lead to fire because of electricity leakage and short circuit
- It must have the reliable grounding wire otherwise it may cause electric shock risk when the unit failure or leakage
- Attention when installation: Do not install when the machine are power connected.
- It must operated by the professional construction person when install the unit If the construction incorrect, it may cause electric shock and fire accident
- This appliance is not intended for use by persons (including children) with reduced physical, sensory or mental capabilities, or lack of experience and knowledge, unless they have been given supervision or instruction concerning use of the appliance by a person responsible for their safety. If the cord is damaged, it must be replaced by the manufacturer, its service agent or similarly qualified persons in order to avoid a hazard. For additional protection, the installation of a residual current device (RCD) having a rated residual operating current not exceeding 30mA is advisable in the electrical circuit supplying the bathroom. ask your installer for advice.
- **Environmental Protection** Waste electrical products should not be disposed of with household waste. Please recycle where facilities exist. Check with your Local Authority or retailer for recycling advice.



Parts name and dimension drawing



■ Using the Unit



Stretch out both hands and insert them all the way in.
The unit starts to run automatically.



- Pull them out slowly, letting the air blow the water off.



- Pull them out completely.

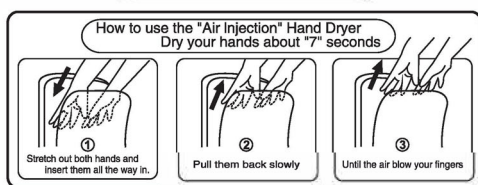
■ Self-check indicator

When a malfunction or error occurs, the self-check indicator on the right side will either light up or flash.

Turn off the power switch, wait about 40 seconds until all the indicators go off, then turn on the power switch.

If the indicator still lights up or flashes, turn off the power, disconnect the unit from the socket, and contact your dealer immediately.

Usage Label



Stick the usage label on the visible place
(the front of the unit or the wall nearby).

◆ When using the unit

Turn on the power switch.

- The power indicator lights up.
- The lamp lights up.
- The cover of power supply is closed.

Routine Cleaning

Cleaning the Unit body Before it gets obviously dirty

- Clean the unit with a soft cloth.
If the unit gets very dirty, clean with a soft cloth dampened with neutral agent, then clean with a dry soft cloth.
- Remove the dirt from the sensor. (to prevent malfunction)



Note

- Only use the neutral cleaning agents.
- Do not use thinner, acidic or alkaline toilet cleaners, or nylon brush. (Otherwise, they may damage the smoothness of surface)
Only use the alcohol to clean the hand-drying area. (Do not use alcohol anywhere else)
※Alcohol here means the alcohol used for disinfection (concentration below 83%).
- If the chemical cloths used, please read their instructions first.
- Disinfecting agents will damage your unit.



WARNING



- Before you clean the unit, turn off the power switch.
- Do not splatter water on the unit



Caution

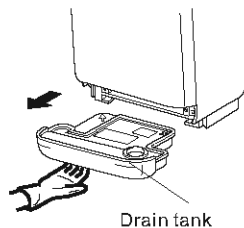
- Wear gloves when cleaning.
- The antibacterial coating is effective when the bacteria exposed the coated surfaces (See the shade areas on the figure)
- The antibacterial coating becomes not effective when the surfaces get very dirty.

Draining and Cleaning the drain tank Before it fills up (at least once a week)

- The water blown off the hands is called "drain water".
- Empty the drain water at any moment, in order to prevent accumulated water from exceeding the full level.
- It will start smelling if the accumulated water remains in the tank for too long time.

1

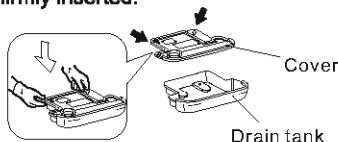
1. Pull the drain tank out in the horizontal direction.
This ensures the drain water does not splatter out.



Drain tank

2

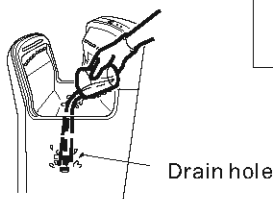
2. 1. Open the cover and empty the water.
• Pull the cover up with your fingers in the direction of the arrow on top of the cover, and then remove the cover completely.
2. Wash out the interior of the drain tank.
3. Close the water tank cover, and Re-attach it to the unit as original.
• Confirm the two locations are firmly inserted.



Drain tank

3

3. Add 200cc (around 1 cup) of water through the drain hole. (to prevent it from getting clogged)
• Use the unit after confirming that the water tank is in place.



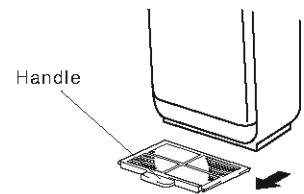
Drain hole

Cleaning the air filter Around once a week

Remove the air filter

- Pull the air filter out by the handle.

1

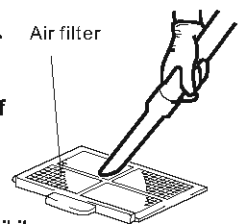


Handle

2

1. Cleaning the air filter

- Beat it lightly by hand or use a vacuum cleaner.
- If it is very dirty, wash it off with cold or warm water.



Air filter

2. Re-attach to the unit.

- insert it all the way in, until it stops. (If it is not in place, the dirt or dust will enter the unit and shorten its service life.)



Note

- If you wash the air filter with water, and dry it as much as possible.
- Do not expose to the fire.

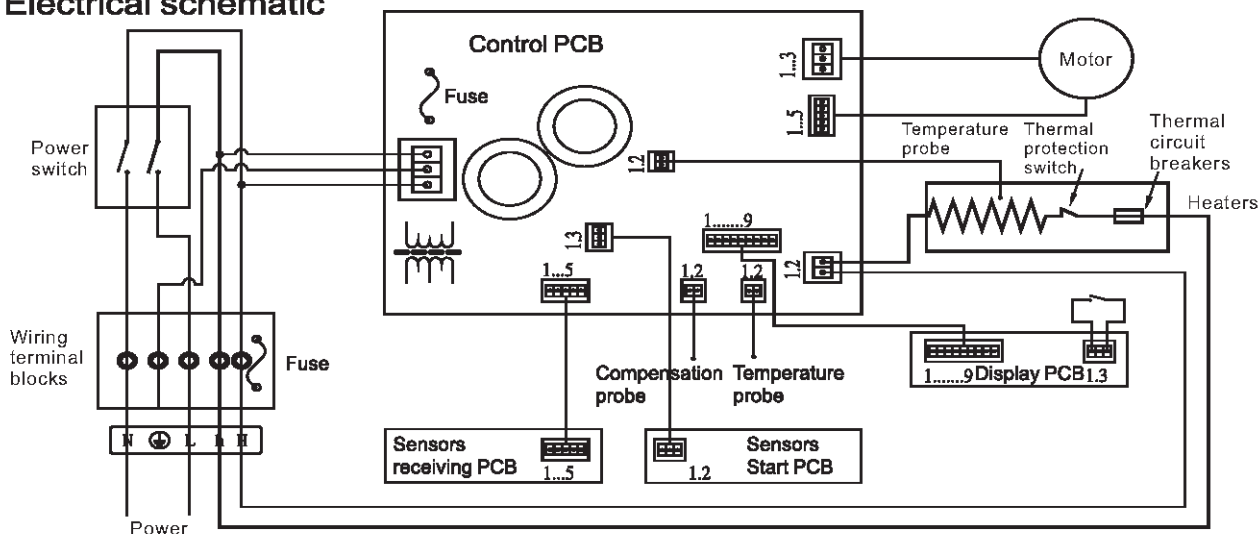
Trouble shooting、electrical schematic

If you discover the following circumstance, please inspection and handling as following:

Problem	Check	Action
No air blows even if hands are inserted	Do the display indicators lights up? Is the power switch on? Are you putting your hands all the way in?	<ul style="list-style-type: none"> • Turn the ground-fault circuit breaker on. • Turn the power switch on. • Put hands all the way in .
Machine works long time after hands drawn out, finally shows E2	<ul style="list-style-type: none"> • Any dirt or foreign body on sensor? 	<ul style="list-style-type: none"> • Switch off the power button, and then remove dirt or foreign body on sensor after the power light gone out. When finished, switch on power button.
No hot wind	<ul style="list-style-type: none"> • There is a Built-in heater in the unit. Any dirt on heating sensor? • Fuse inside terminal box blown? 	<ul style="list-style-type: none"> • Is the ambient temperature higher than 20℃? • Switch off power, remove front cover. There is a terminal box inside. Take down the cover of terminal box. Check the fuse inside box which is blown or not.
Airflow is too low	<ul style="list-style-type: none"> • Is the speed button on low level? 	<ul style="list-style-type: none"> • Put speed button on the high level.

If the above actions do not work, turn off the power and the ground-fault circuit breaker, and call your dealer to inspect and repair it if necessary. (Costs are as per agreement with the dealer)

Electrical schematic



	Status	Introductions	Status	Introductions	Solution
Power indicator light	Light	Power input normally	Extinguish	Power not supply	Check the external power source, close the power switch
				Master board fuse blew out	
State indicator light	Extinguish	Don't work	Flashing light	Motor fault, it can't start normally	Check motor connecting wires and the rotor foreign material
	always light	Working		Trick or working time longer than 25s	
Timing digital tube	Digital changes	Countdown work	Jump display	Indicate drying time finished	
	E1	Motor fault, it can't start normally	E2	Trick or working time longer than 25 seconds	Clear workspace foreign material, restart to work
	E3	The voltage exceeds 15%	E4	The voltage lower than 15%	Check the power supply circuit
	E5	Machine temperatures higher than 80℃	E6	Master board temperatures higher than 80℃	Clear the foreign material of the air inlet and air outlet
			E8	Fan fault	Check whether the Fan sensor connect is loosen

Precautions before installing

■ Do not install in the following types of location, otherwise this may cause malfunction:

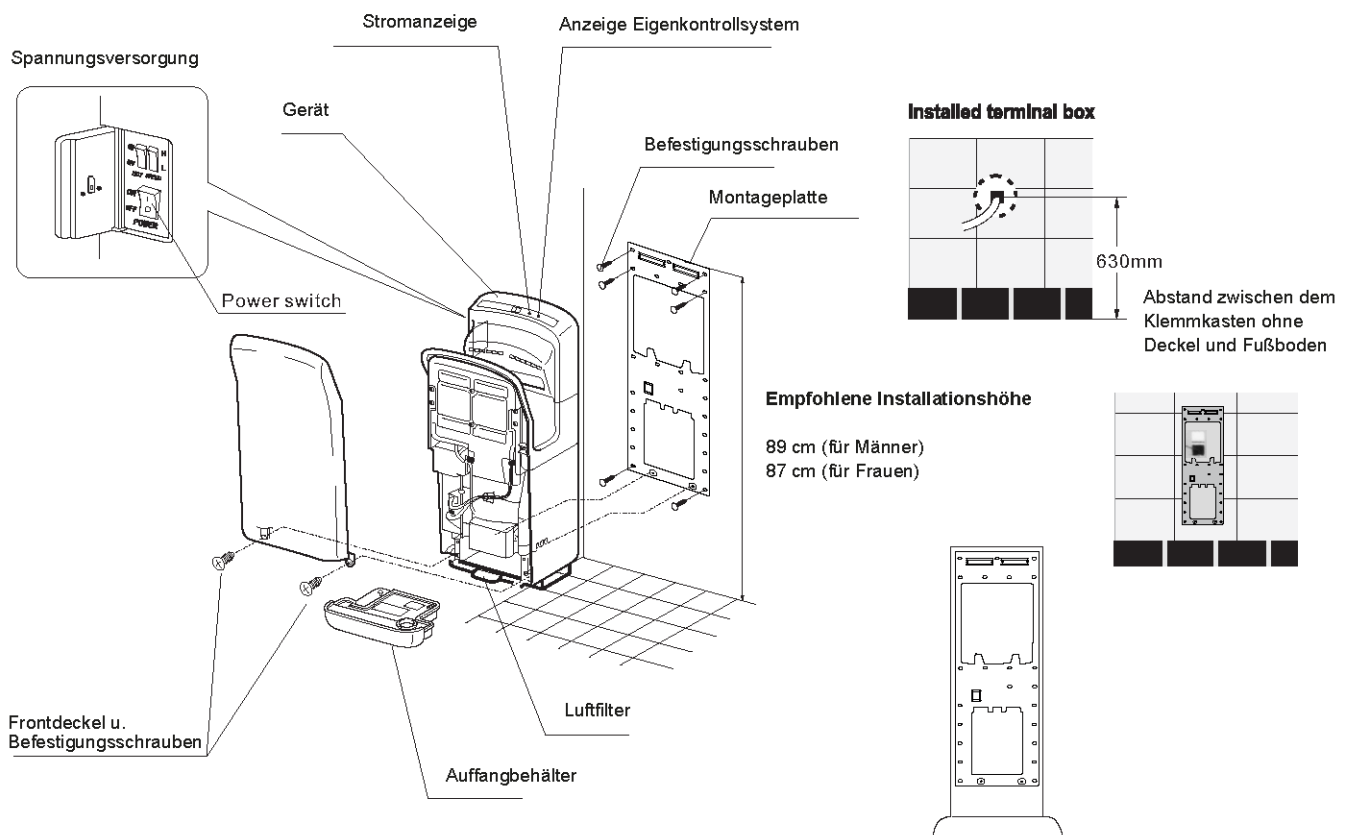
- Locations where the temperature can exceed $-10\text{ }^{\circ}\text{C}$ or $40\text{ }^{\circ}\text{C}$.
- Locations where the unit may come into direct contact with water.
- Locations where the unit is under direct or strong sunlight
- Locations where there is a lot of condensation.
- Locations where corrosive, neutral, or reductive gases are present.
- Places lower than -20m or higher than 2000m above sea level

■ Installation location

- Install somewhere the unit will be easy to use, as shown in the figure.
If the unit is installed too low, water may get on it when the floor is being cleaned. (The bottom of the unit must be at least 150 mm higher than the floor or any objects under it.)
- The left side of the unit must be at least 150 mm away from any walls, because the power switch is located on the left.
- Ensure there are no mirrors or walls near the right side, as drops of water may splatter to the right when drying hands. (Recommended distance is at least 100 mm .)
- Avoid locations where people or doors might bump into the unit.
- Choose a completely flat surface on the wall to install the unit.

■ Installation Base

- If your space is limited and the condition of wall is unsatisfactory, you can purchase an installation base to install this unit.



Installation Procedures

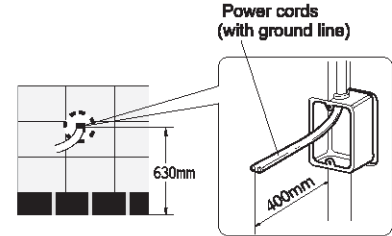
- Use a single-phase alternating rated voltage supply. (Do not be used with a power supply exceeding rated voltage $\pm 10\%$.)
- Use a power cord which is between 2mm^2 and 2.5mm^2 thick. (Cords other than 2mm^2 - 2.5mm^2 single-core cords cannot be used.)
(A drop in voltage is possible if the power cord exceeds 11 m in length, so we recommend using a 2.5mm^2 cord.)

1

Wire the unit.

Embed the switchbox in the installation location (1 switchbox no cover) and wire the power cord (with the green and yellow combined is ground line).

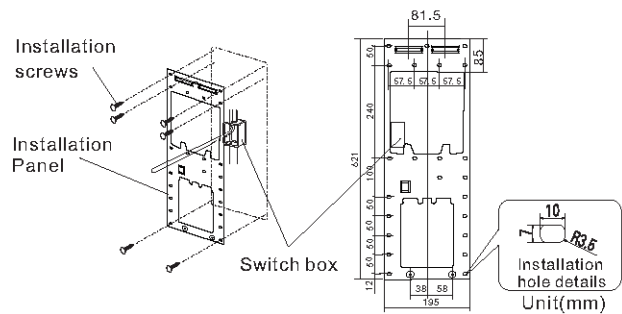
- If no switchbox is used, the power cord will be pushed out, and prevent the unit from being installed firmly against the wall.



2

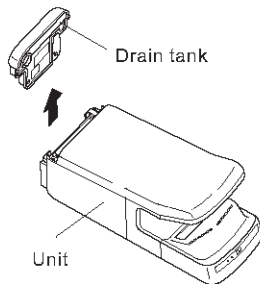
Attach the installation panel to the wall using the 6 installation screws.

- If the wall is concrete, use commercially available metal screw plugs (curl plugs, etc.).
- If the wall is not concrete, reinforce it before installation.



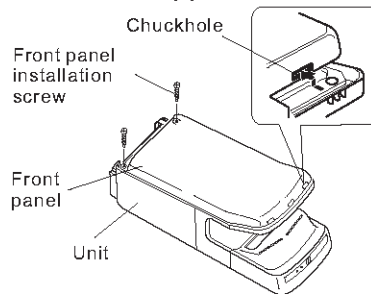
3

1. Remove the drain tank.



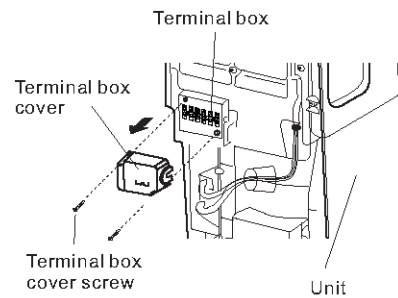
2. Remove the front panel.

- (1) Remove the two screws.
- (2) Remove all the front panel chuckholes (3).



3. Remove the terminal box cover.

Remove the terminal box cover screw and pull the cover out towards you.



4

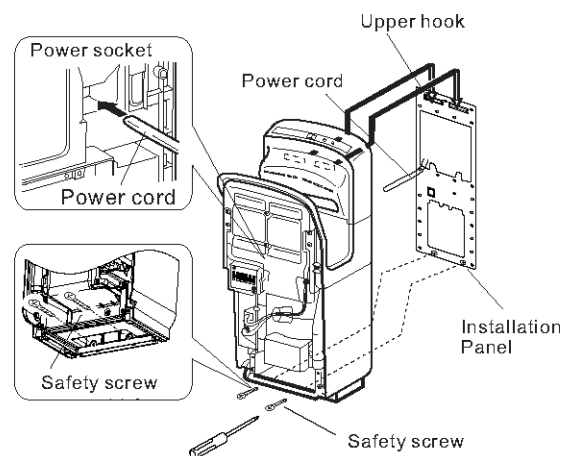
Pull the separate line power cord into the unit and secure inside.

Pull this machine has been with power cord. if you want to change, please according to the following steps.

Pull the power cord through the power cord hole on the rear of the unit, attach the rear side to the 2 hooks on the installation panel.

- The installation screws for the unit will not tighten completely if the hooks at the bottom of the installation panel are not in place.

Note: Ensure the unit is hooked on the installation panel, tightened the safety screws (at the low right), otherwise, this may cause the unit to drop and be in the danger of theft.

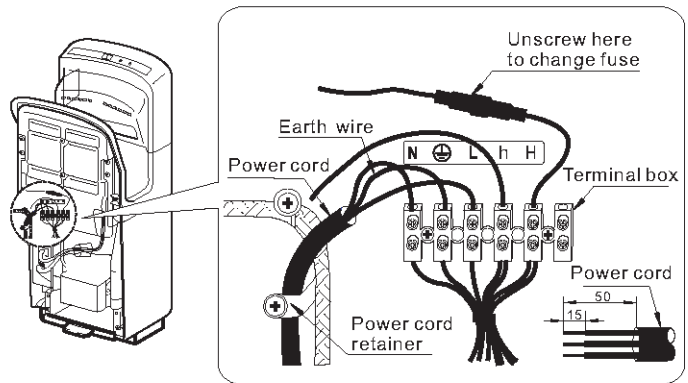


Installation Procedures

5

Wire the terminal box. (There is no polarity.)

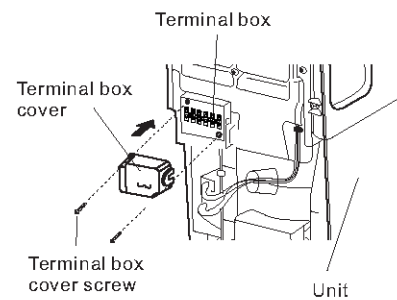
- (1) Strip the wire sheath as shown in the figure at right.
- (2) Loosen the screws on the terminal box and connect the power cord to the terminal box.
- (3) Remove the protective seal attached to the terminal box before connecting the ground wire.
- (4) Tighten the screws on the terminal box and pull the power cord to make sure it is secured firmly.
- (5) Bind the power cord using the clip to the right of the terminal box and fix it to its original location.



6

Attach the terminal box cover.

- (1) Place the terminal box tabs into the holes and return the cover to its original position, securing it with the screw.
- (2) Make sure the power cord and other wires are not pinched.
 - The front panel cannot be attached if there are any wires in front of the terminal box cover. Move the wires to the right of the terminal box cover.



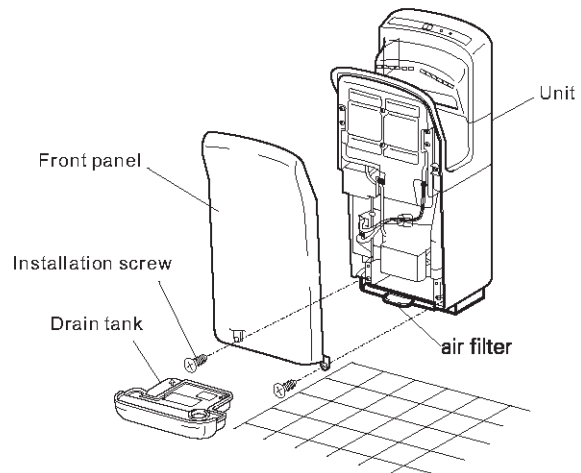
7

1. Attach the front panel.

- (1) Insert the 3 front Panel chuckholes into the unit.
- (2) Replace the 2 screws that were removed.

2. Attach the drain tank.

3. Make sure the air filter is all the way in.



Test Run

	Step	Check	Result
1	Check the voltage of power supply	Please use the rated voltage?	
2	Turn the ground-fault circuit breaker on		
3	Turn the power switch on	Does the power indicator light up?	
4	Dry hands	Is the air blowing?	
5	Check the unit	Is the unit installed firmly? Any vibration or strange noise?	

* Do not turn the unit power switch on with your hands inside.

* If the self-check indicator in the display lights or is flashing, turn off the power switch off, and turn the power back on when all the indicators go off (after 40 seconds).

Packing List

Unit	1
Mountint plate	1
5mm Expansion pipe	6
5x25Self-tapping screw	6
User Manual (include Packing List and Warranty Card).....	1
Method of use figure	1
Roughing efficiency (air) filter	1
Key	1